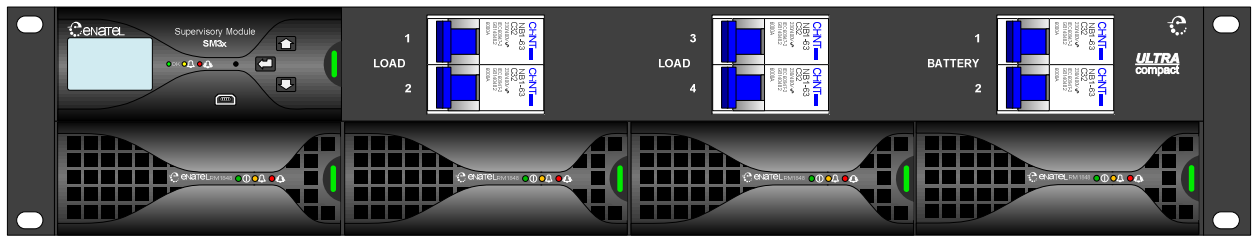
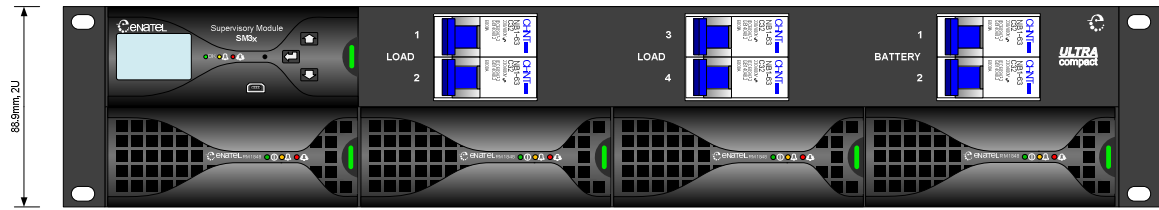
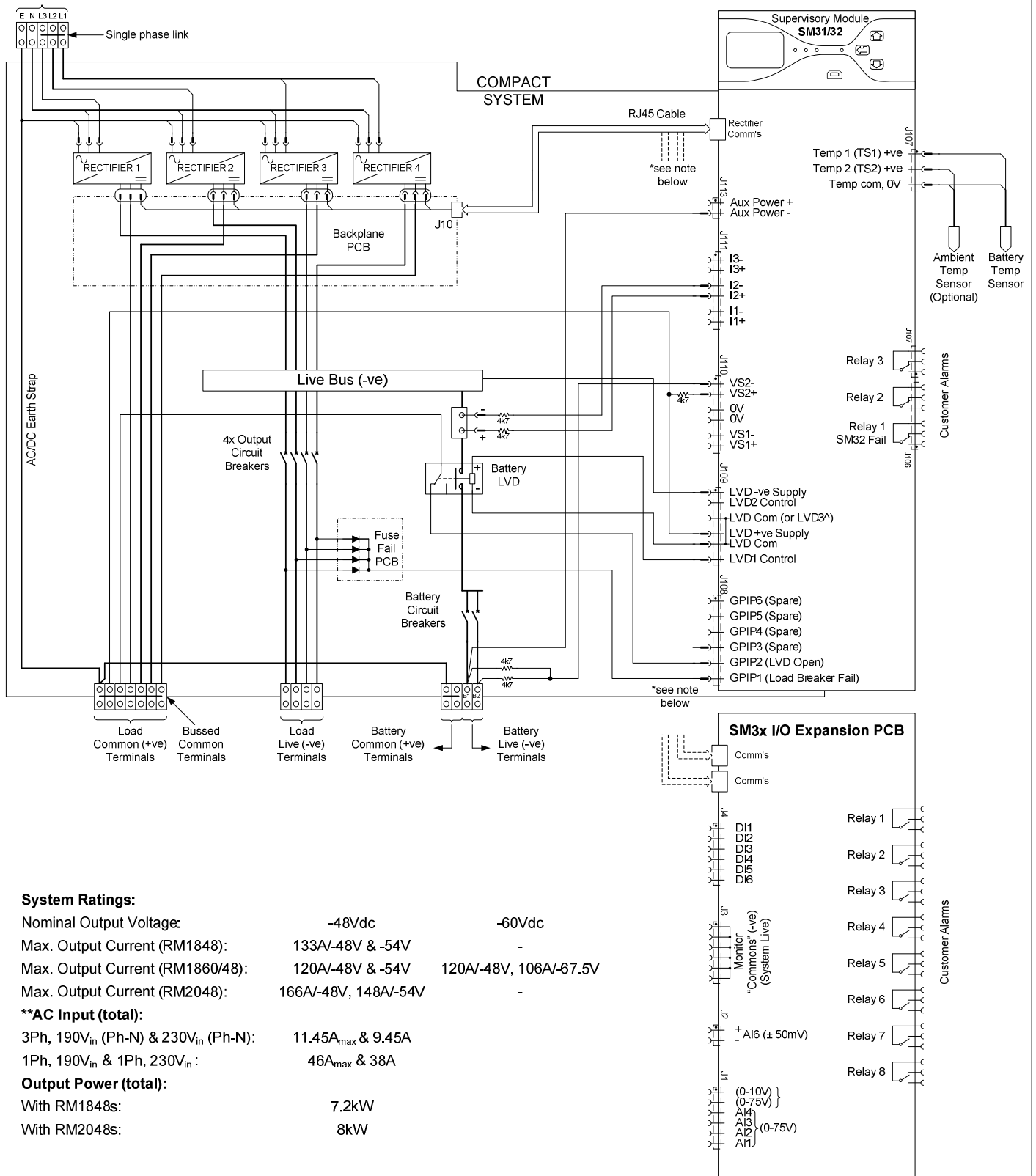


## ENATEL 2U ULTRA COMPACT SYSTEM





3 Phase AC Input



**System Ratings:**

Nominal Output Voltage:	-48Vdc	-60Vdc
Max. Output Current (RM1848):	133A/-48V & -54V	-
Max. Output Current (RM1860/48):	120A/-48V & -54V	120A/-48V, 106A/-67.5V
Max. Output Current (RM2048):	166A/-48V, 148A/-54V	-

**\*\*AC Input (total):**

3Ph, 190V <sub>in</sub> (Ph-N) & 230V <sub>in</sub> (Ph-N):	11.45A <sub>max</sub> & 9.45A
1Ph, 190V <sub>in</sub> & 1Ph, 230V <sub>in</sub> :	46A <sub>max</sub> & 38A

**Output Power (total):**

With RM1848s:	7.2kW
With RM2048s:	8kW

\* Note: SM3x I/O PCB to be connected in series between Backplane and SM3x monitor when fitted.

\*\* Values based on RM2048s



TITLE  
8kW/-48V & -60V, 2U Compact (4 Load, 2 Batt)

DRAWING NUMBER  
090128

SYSTEM NUMBER  
PSC080402xx-xxx

DATE: 21Apr09  
SCALE: NTS

DRAWN  
MJA  
REVISION  
1.0  
SHEET  
1 of 1